

# 11925PB (4710PS)

## AC Axial Fan

# 119<sup>□</sup>X25<sup>L</sup>



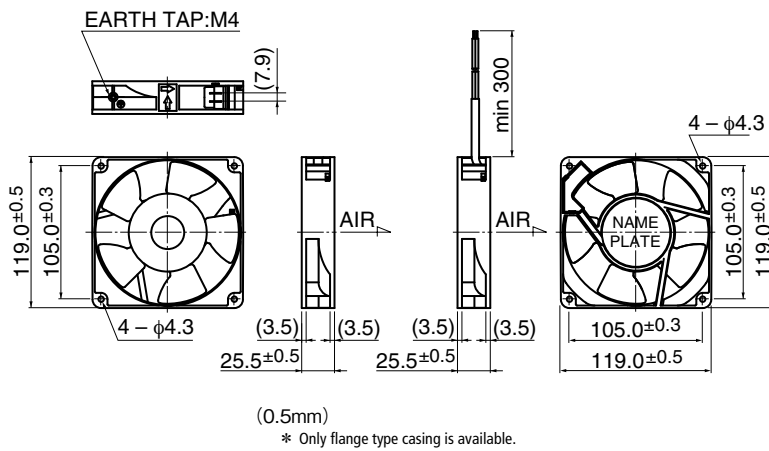
### General Specifications

- Motor Structure : Shaded Pole Induction Motor
- Motor Protection : Impedance Protection
- Insulation Resistance : Min 100MΩ by DC 500V Megger
- Dielectric Withstand Voltage : AC1800V 3s
- Allowable Ambient : - 10°C ~ + 70°C (Operating)
- Temperature Range : - 40°C ~ + 70°C (Storage)  
non-condensing environment

### Expected Life ※ Failure Rate: 10% (L10 Life)

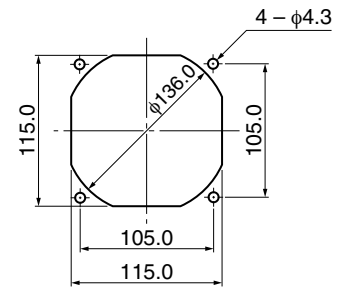
25°C 100,000 (Hours)

### Outline

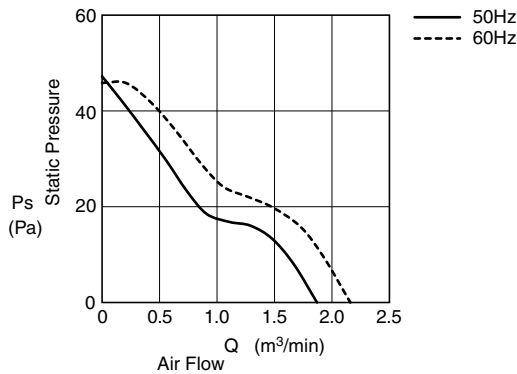


### Panel Out-cuts

(Inlet Side) / (Outlet Side)



### Characteristic Curves



### Material

- Casing : Aluminum (Black Painting)
- Impeller : Plastic (Black) UL94V-0
- Bearing : Ball Bearing
- Terminal : Faston #110 or Equiv

Lead Wire type is also available.

Lead Wire : UL3266, AWG22

### Specifications

Model**	Product Number	Rating Voltage (V)	Frequency (Hz)	Starting Voltage (V)	Current (A)*2	Input Power (W)*1	Speed (min-1)*3	Max Air Flow (m³/min)*3	Max Air Flow (CFM)*3	Max Static Pressure (Pa)*3	Max Static Pressure (In H2O)*3	Noise (dB)*1	Mass (g)
11925PB-A0L-EA-	00	100	50	65	0.220	14.0	2300	1.80	64.3	41.2	0.16	34.0	360
	00		60		0.180	11.0	2700	2.00	71.4	41.2	0.16	38.0	
11925PB-A1K-EA-	00	115	50	75	0.100	8.0	1900	1.40	49.4	23.5	0.090	29.0	
	00		60		0.090	7.0	2000	1.50	53.0	21.6	0.100	30.0	
11925PB-A1L-EA-	00	115	50	75	0.190	14.0	2300	1.80	64.3	41.2	0.16	34.0	
	00		60		0.160	11.0	2700	2.00	71.4	41.2	0.16	38.0	
11925PB-B0L-EA-	00	200	50	130	0.110	14.0	2300	1.80	64.3	41.2	0.16	34.0	
	00		60		0.090	11.0	2700	2.00	71.4	41.2	0.16	38.0	
11925PB-B2L-EA-	00	220	50	130	0.100	14.0	2300	1.80	64.3	41.2	0.16	34.0	
	00		60		0.080	11.0	2700	2.00	71.4	41.2	0.16	38.0	
11925PB-B3L-EA-	00	230	50	175	0.100	14.0	2300	1.80	64.3	41.2	0.16	34.0	
	00		60		0.090	11.0	2700	2.00	71.4	41.2	0.16	38.0	
11925PB-B4L-EA-	00	240	50	175	0.100	15.0	2300	1.70	60.7	41.2	0.16	34.0	
	00		60		0.080	13.0	2700	2.00	71.4	41.2	0.16	38.0	

Airflow Outlet: Label side

\*1: Average Values in Free Air  
\*2: Maximum Values in Free Air  
\*3: Minimum Values in Free Air

Rotation: Counterclockwise as seen from the label side